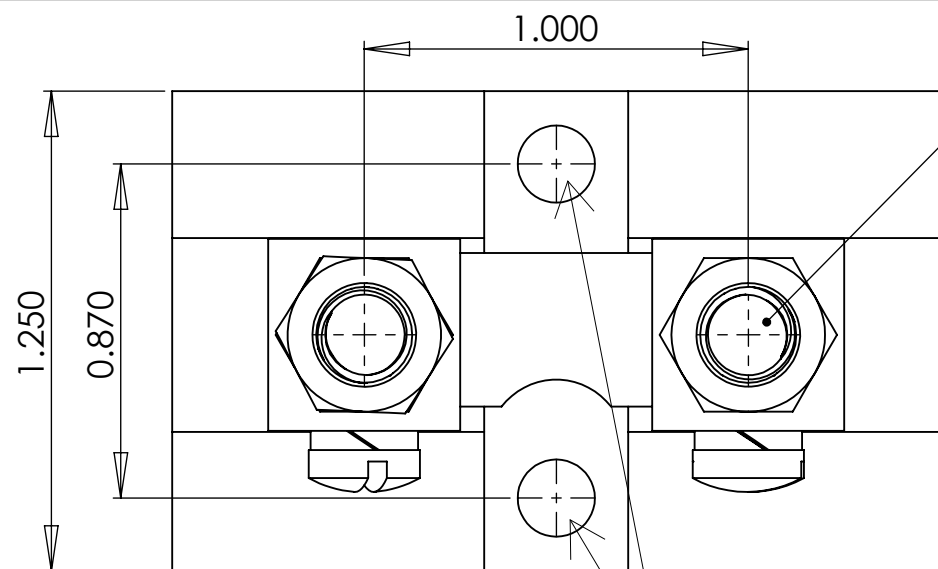
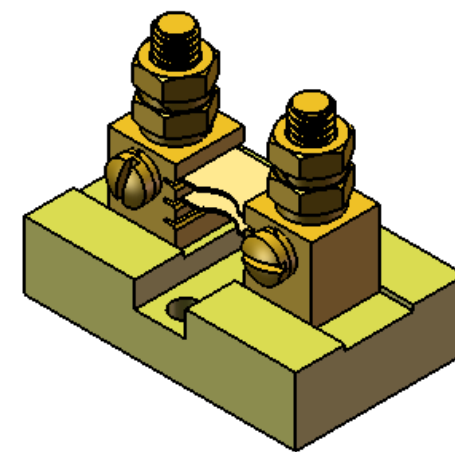


GARMIN Pn.909-D0000-00 = UMA Pn.1CU4




1/4-20 UNF STUD LOCKNUT(2)
SPLITLOCK WASHER(2)



PROPRIETARY AND CONFIDENTIAL

THE INFORMATION CONTAINED IN THIS DRAWING IS THE SOLE PROPERTY OF UMA. ANY REPRODUCTION IN PART OR AS A WHOLE WITHOUT THE WRITTEN PERMISSION OF UMA IS PROHIBITED.

		UNLESS OTHERWISE SPECIFIED:		NAME	DATE
		DIMENSIONS ARE IN INCHES TOLERANCES: .001 FRACTIONAL ± ANGULAR: MACH ± BEND ± TWO PLACE DECIMAL ± THREE PLACE DECIMAL ±		DRAWN	RMT 9-12-11
		INTERPRET GEOMETRIC TOLERANCING PER:		CHECKED	
		MATERIAL : Brass & POLYCARBONATE		ENG APPR.	
		FINISH		MFG APPR.	
NEXT ASSY	USED ON			Q.A.	
APPLICATION		DO NOT SCALE DRAWING		COMMENTS:	
					
				TITLE:	
				SHUNT	
		SIZE	DWG. NO.	REV	
		B	ICUX	A	
		SCALE: 1:1	WEIGHT:	SHEET 1 OF 1	