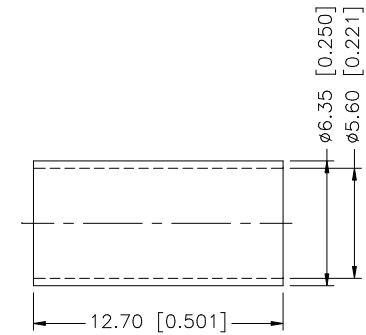
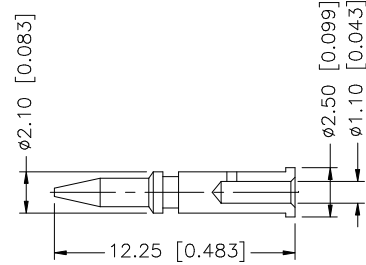
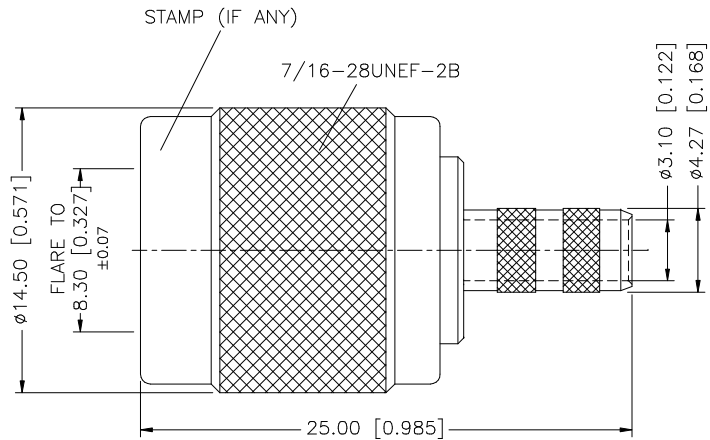
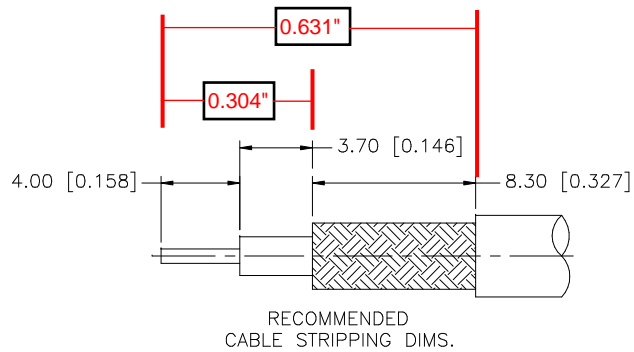


REV.	DATE	DESCRIPTION
A	12/23/02	MODIFY CONTACT PIN LENGTH



NOTE:

1. CRIMPED FERRULE
HEX CRIMP SIZE .213"
2. CRIMPED CONTACT PIN
HEX CRIMP SIZE .068"

SA-1001 TNC stripping instructions.PDF

8					<small>UNLESS OTHERWISE SPECIFIED DIMENSIONS ARE IN MILLIMETERS. DIMENSIONS IN [] ARE IN INCHES AND FOR CUSTOMER REFERENCE ONLY.</small> <small>UNLESS OTHERWISE SPECIFIED TOLERANCES FOR MILLIMETERS ARE:</small> 0.5 - 8mm ± 0.20mm 8 - 30mm ± 0.40mm 30 - 120mm ± 0.50mm <small>UNLESS OTHERWISE SPECIFIED TOLERANCES FOR INCHES ARE:</small> .020 - .315 = ± 0.007" .315 - 1.180 = ± 0.015" 1.180 - 4.724 = ± 0.020"	APPROVALS	DATE	<h1 style="color: blue;">Amphenol Connex</h1>				
7				DRAWN		G.R.S.	12/23/02					
6						CHECKED		PART DESCRIPTION TNC CRIMP PLUG (FOR RG-55/U,142A/U,223/U, <u>400</u> /U CABLE)				
5	FERRULE	COPPER	NICKEL	1		ISSUED						
4	GASKET	RUBBER	RED	1			PART NO. 122372					
3	INSULATOR	DELTRIN	NATURAL	1								
2	CONTACT PIN	BRASS	GOLD	1	SHEET	1 OF 1	DWG. NO. 122372.DWG					
1	SHELL/BODY	BRASS	NICKEL	1	CAD FILE	C:/122/122372.DWG						
	DESCRIPTION	MATERIAL	FINISH	QTY	DO NOT SCALE DRAWING		REV.	A	SIZE	A	SCALE	NA