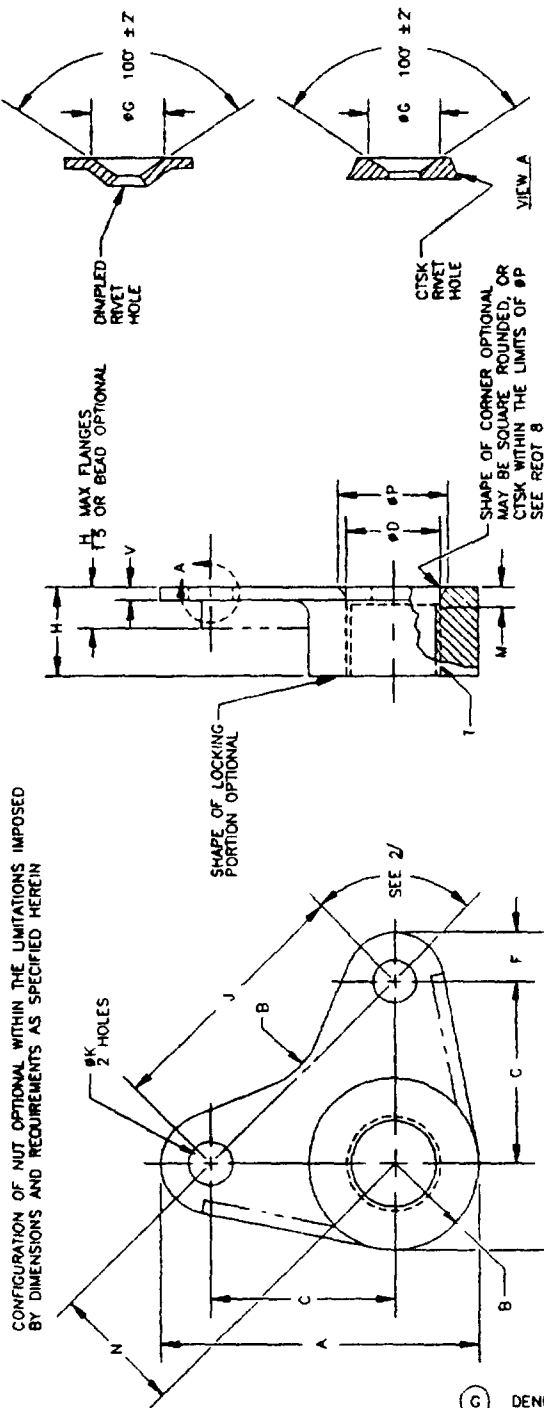


THE REQUIREMENTS FOR ACQUIRING THE PRODUCT(S) DESCRIBED HEREIN SHALL CONSIST OF THIS SPECIFICATION SHEET AND THE ISSUE OF THE FOLLOWING SPECIFICATION LISTED IN THAT ISSUE OF THE DOCSIS SPECIFIED IN THE SOLICITATION MIL-N-25027

THIS SPECIFICATION IS APPROVED FOR USE BY ALL DEPARTMENTS AND AGENCIES OF THE DEPARTMENT OF DEFENSE

CONFIGURATION OF NUT OPTIONAL WITHIN THE LIMITATIONS IMPOSED BY DIMENSIONS AND REQUIREMENTS AS SPECIFIED HEREIN



(G) DENOTES CHANGE(S)

TABLE I DASH NUMBERS AND DIMENSIONS

DASH NUMBERS	PLAIN RIVET HOLES		COUNTERSUNK OR DIMPLED RIVET HOLES		T THREAD SIZES	A MAX	B MIN	C MIN	D MIN	F MIN	G MIN	H MAX	J MAX	K MAX	M MIN	N MAX	P MAX	V MAX	AXIAL STRENGTH LBS./MIN	WEIGHT LBS./100
	NON-DRY FILM LUBRICANT	DRY FILM LUBRICANT	NON-DRY FILM LUBRICANT	DRY FILM LUBRICANT																
-04	L04	-04K	L04K	L04K	112-40 UNJC-38	637	120	105	344	100	200	143	486	098	-	270	166	047	750	20
-06	L06	-06K	L06K	L06K	138-32 UNJC-38	637	133	108	344	100	200	171	486	098	-	270	206	047	1130	25
-08	L08	-08K	L08K	L08K	164-32 UNJC-38	637	149	125	344	166	200	250	486	098	-	270	248	047	1720	28
-3	L3	-3K	L3K	L3K	190-32 UNJF-38	653	164	145	344	194	200	250	486	098	082	270	274	047	2460	29
-4	L4	-4K	L4K	L4K	250-28 UNJF-38	852	207	185	500	254	200	281	707	088	082	383	344	055	4580	58
-5	L5	-5K	L5K	L5K	3125-24 UNJF-38	914	248	216	500	317	230	328	707	130	082	383	417	065	7390	85
-6	L6	-	-	-	375-24 UNJF-38	968	307	290	500	379	230	344	707	130	082	383	505	075	11450	131
-7	L7	-	-	-	4375-20 UNJF-38	1101	363	340	562	442	230	390	795	161	062	427	802	085	15450	184
-8	L8	-	-	-	500-20 UNJF-38	1234	437	398	625	521	230	609	884	161	062	479	640	115	21110	480
-10	L10	-	-	-	625-18 UNJF-38	1437	506	482	750	646	230	785	1061	161	062	574	756	115	34130	860

1/ MINIMUM "H" NOT SPECIFIED, LIMITED ONLY BY STRENGTH REQUIREMENTS OF THE SPECIFICATION  
 2/ CENTER OF THE TAPPED HOLE SHALL NOT DEVIATE IN ANY DIRECTION FROM THE CENTER OF THE PLATE NUT AS DETERMINED BY THE RIVET HOLES BY MORE THAN 005  
 3/ DIMPLED RIVET HOLE TOLERANCE FOR "K" IS + 015 - 000

INCH-POUND

PREPARING ACTMITY DLA-IS  
 CUSTODIANS ARMY-AV NAVY-AS  
 AIR FORCE-II DLA-  
 REVIEW 82,  
 USER CR MI  
 PROJECT NUMBER 5310-1947

MILITARY SPECIFICATION SHEET  
 TITLE  
 NUT SELF-LOCKING, PLATE CORNER  
 LOW HEIGHT, STEEL 125 KSI Ftu 450f

SPECIFICATION SHEET NUMBER  
**MS21055** 1 FEB 94  
 REV C  
 SUPERSEDING  
 MS21055 F 30 SEPT 87 (SEE NOTE 5)  
 AMSC- N/A FSC 5310

DISTRIBUTION STATEMENT A Approved for public release distribution is unlimited Page 1 of 3



THE REQUIREMENTS FOR ACQUIRING THE PRODUCT(S) DESCRIBED HEREIN SHALL CONSIST OF THIS SPECIFICATION SHEET AND THE ISSUE OF THE FOLLOWING SPECIFICATION LISTED IN THAT ISSUE OF THE DODDSS SPECIFIED IN THE SOLICITATION ML-N-25027

THIS SPECIFICATION IS APPROVED FOR USE BY ALL DEPARTMENTS AND AGENCIES OF THE DEPARTMENT OF DEFENSE

INTERCHANGEABILITY RELATIONSHIP

MS21055 NUTS CAN UNIVERSALLY REPLACE NAS684 AND NAS1027 NUTS OF LIKE MATERIAL, THREAD SIZE, LUBRICANT (DRY FILM OR NON-DRY FILM LUBRICANT), AND FASTENING METHOD (PLAIN RIVET HOLES, DIMPLED OR COUNTERSUNK RIVET HOLES) BUT THESE NAS684 AND NAS1027 NUTS CANNOT UNIVERSALLY REPLACE MS21055 NUTS

INTERCHANGEABILITY TABLE

CANCELLED PART NUMBERS	SUBSTITUTIVE PART NUMBERS	CANCELLED PART NUMBERS	SUBSTITUTIVE PART NUMBERS	CANCELLED PART NUMBERS	SUBSTITUTIVE PART NUMBERS
NAS684X06	MS21055-06	NAS1027A04	MS21055L04	NAS1027A5	MS21055L5
NAS684X08K	MS21055-06K	NAS1027A04K	MS21055L04K	NAS1027A5K	MS21055L5K
NAS684A06	MS21055L06	NAS1027AX04	MS21055-04	NAS1027AX5	MS21055-5
NAS684A06K	MS21055L06K	NAS1027AX04K	MS21055-04K	NAS1027AX5K	MS21055-5K
NAS684X08	MS21055-08	NAS1027A06	MS21055L06	NAS1027A6	MS21055L6
NAS684X08K	MS21055-08K	NAS1027A06K	MS21055L06K	NAS1027AX6	MS21055-6
NAS684A08	MS21055L08	NAS1027AX06	MS21055-08	NAS1027A7	MS21055L7
NAS684A08K	MS21055L08K	NAS1027AX06K	MS21055-08K	NAS1024AX7	MS21055-7
NAS684X3	MS21055-3	NAS1027A08	MS21055L08	NAS1027A8	MS21055L8
NAS684X3K	MS21055-3K	NAS1027A08K	MS21055L08K	NAS1027AX8	MS21055-8
NAS684A3	MS21055L3	NAS1027AX08	MS21055-08	NAS1027A10	MS21055L10
NAS684A3K	MS21055L3K	NAS1027AX08K	MS21055-08K	NAS1027AX10	MS21055-10
NAS684X4	MS21055-4	NAS1027A3	MS21055L3		
NAS684X4K	MS21055-4K	NAS1027A3K	MS21055L3K		
NAS684A4	MS21055L4	NAS1027AX3	MS21055-3		
NAS684A4K	MS21055L4K	NAS1027AX3K	MS21055-3K		
NAS684X5	MS21055-5	NAS1027A4	MS21055L4		
NAS684X5K	MS21055-5K	NAS1027A4K	MS21055L4K		
NAS684A5	MS21055L5	NAS1027AX4	MS21055-4		
NAS684A5K	MS21055L5K	NAS1027AX4K	MS21055-4K		
NAS684X6	MS21055-6				
NAS684A6	MS21055L6				
NAS684X7	MS21055-7				
NAS684A7	MS21055L7				

PREPARING ACTIVITY DLA-IS CUSTODIANS ARMY- AV NAVY- AS AIR FORCE- II DLA- REVIEW B2, USER CR MI PROJECT NUMBER 5310-1947 DISTRIBUTION STATEMENT	<b>MILITARY SPECIFICATION SHEET</b> TITLE NUT SELF-LOCKING PLATE CORNER LOW HEIGHT, STEEL, 125 KSI Flu, 450F	SPECIFICATION SHEET NUMBER <b>MS21055</b> 1 FEB 94 REV G
	SUPERSEDING MS21055 F 30 SEPT 87 (SEE NOTE 3)	ANSC- N/A FSC 5310
A Approved for public release distribution is unlimited	Page <u>3</u> of <u>3</u>	