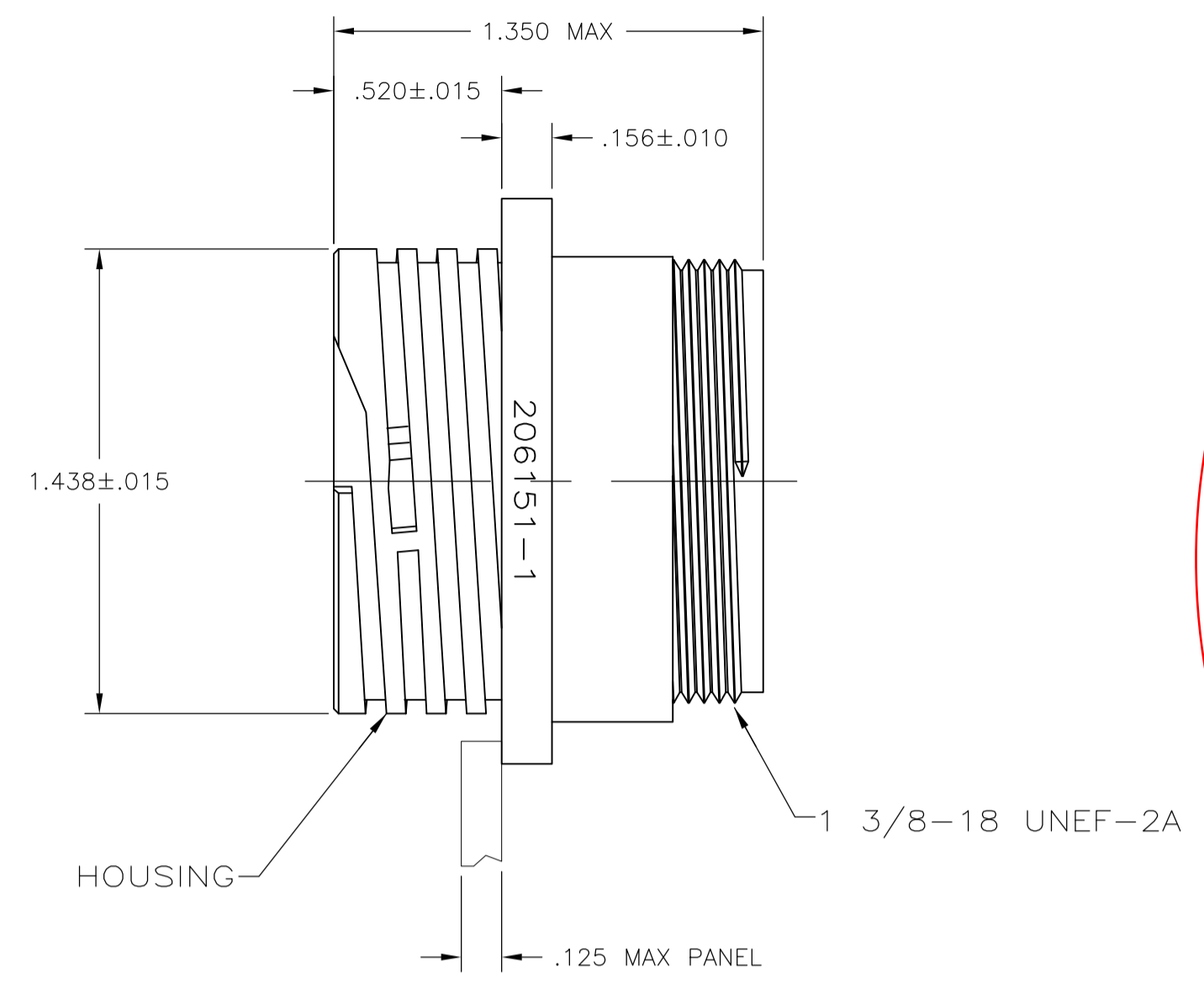
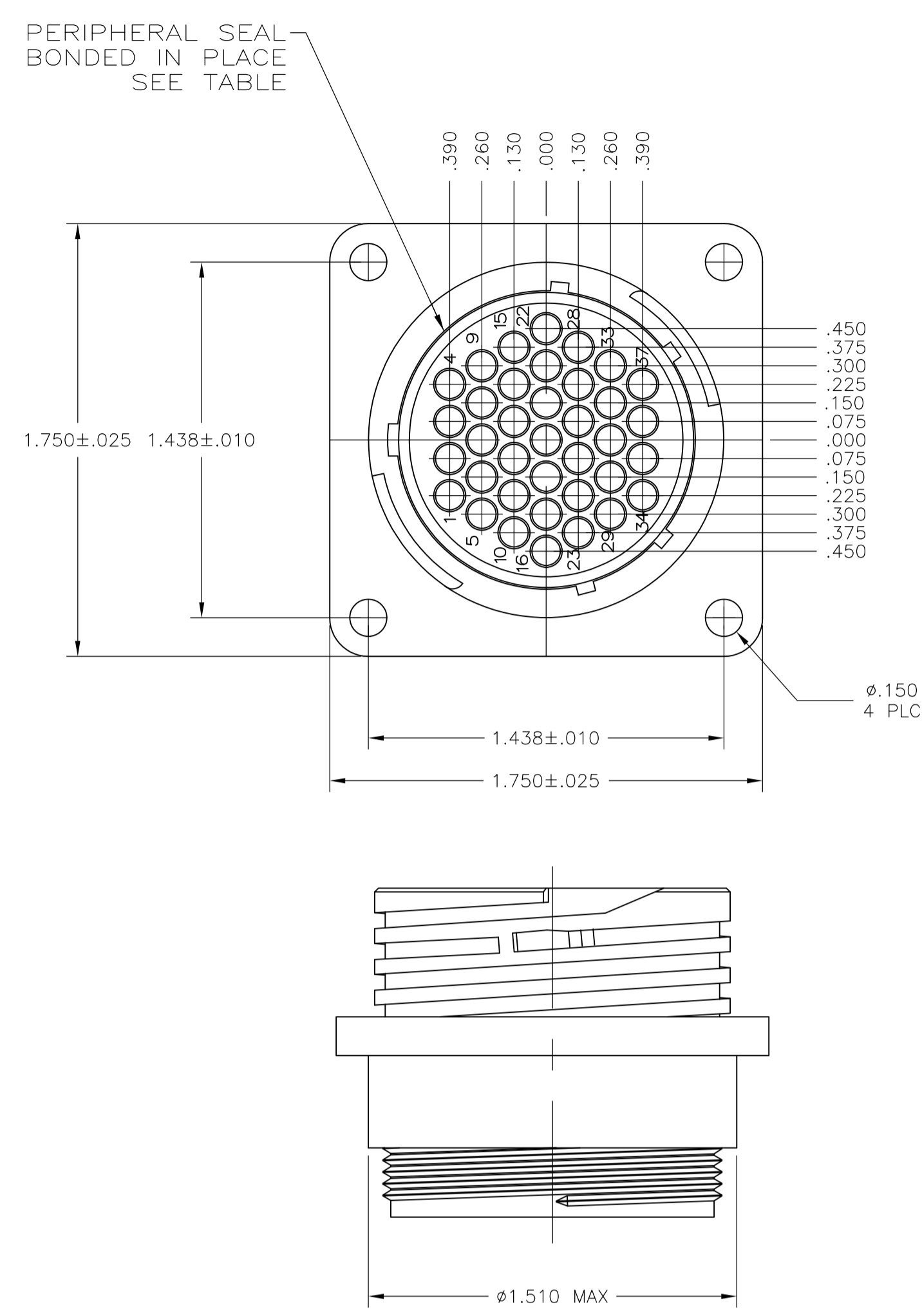
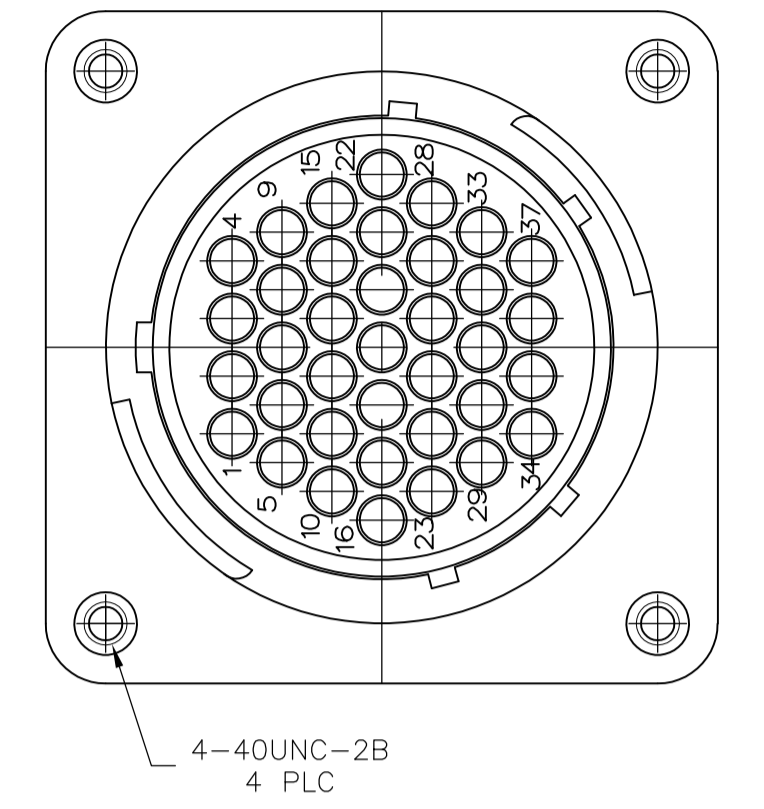
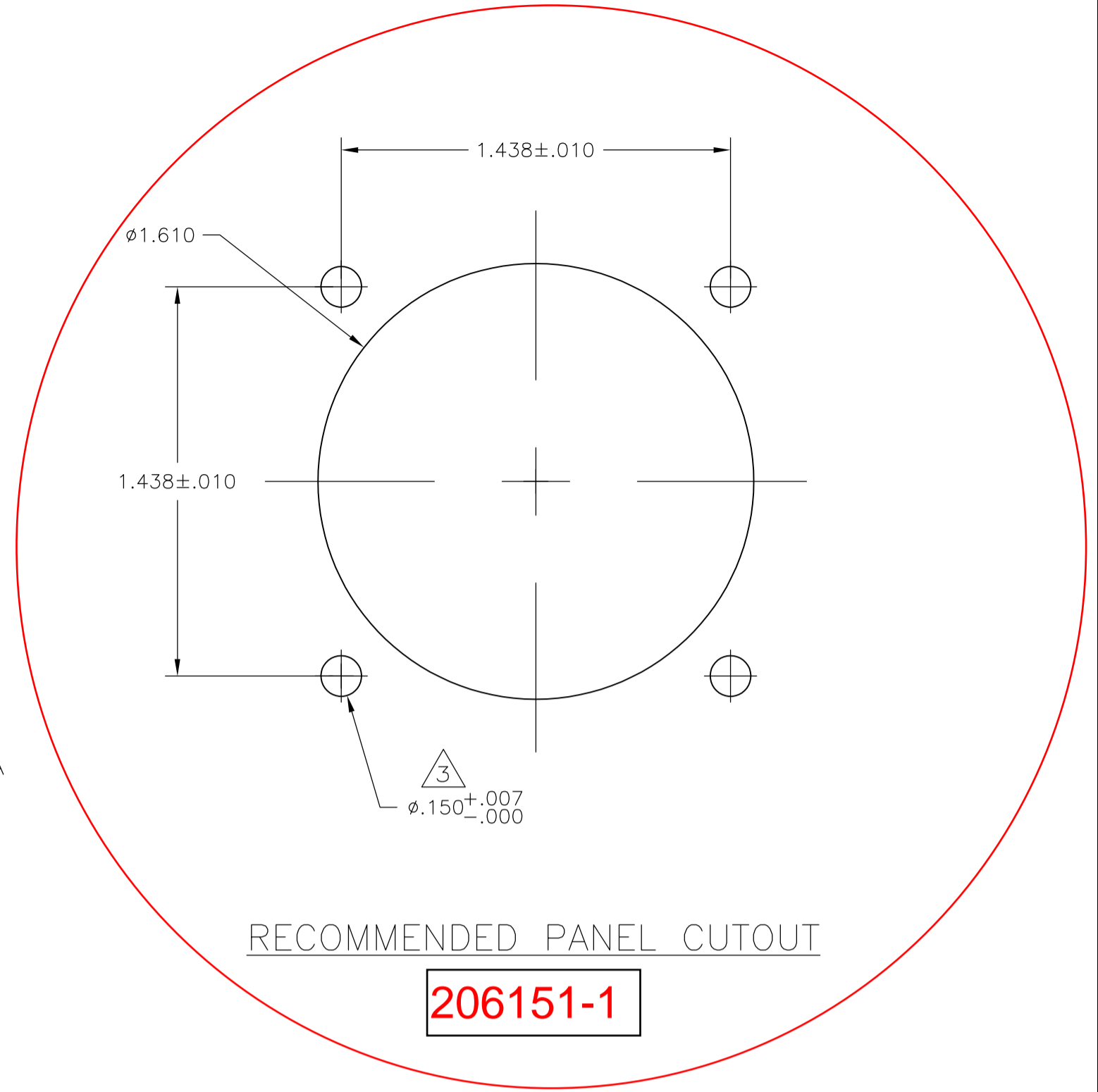


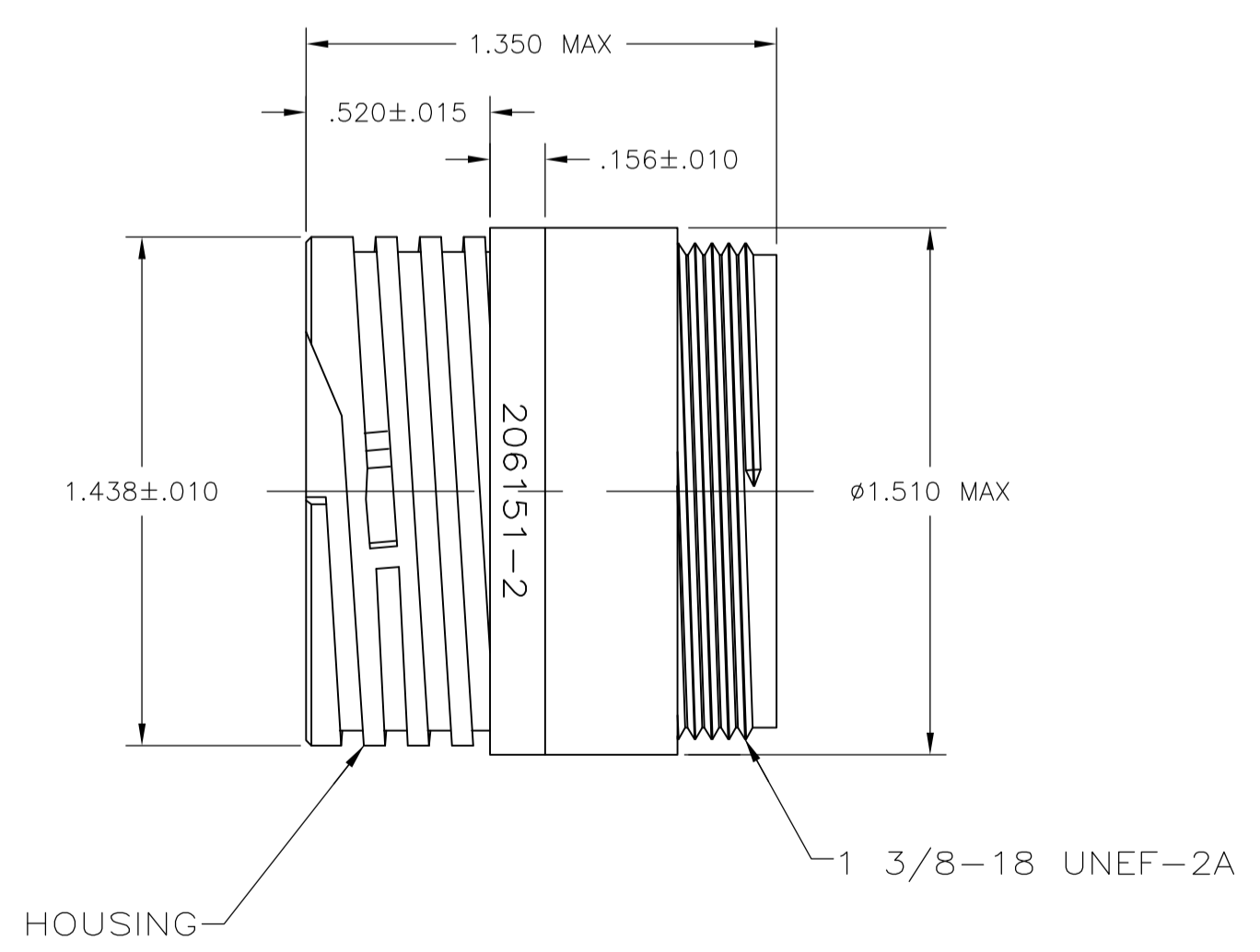
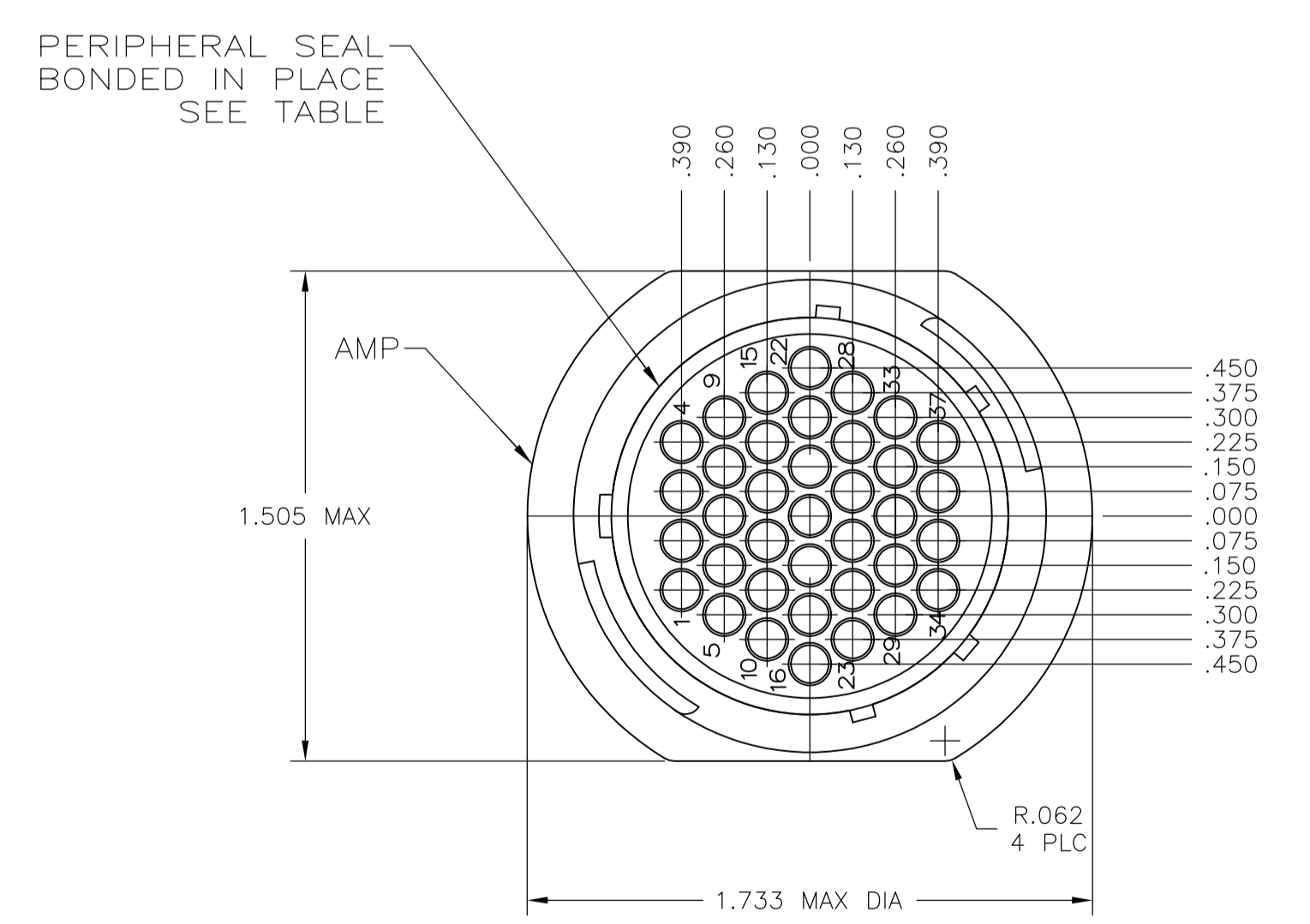
| LOC | | DIST | | REVISIONS | | | |
|-----|---|------|-----|---------------------------|---------|-----|------|
| FT | 0 | P | LTR | DESCRIPTION | DATE | DWN | APVD |
| M | | | | REVISED PER ECO-12-015521 | 28SEP12 | KH | MZ |



DETAIL A



DETAIL C
206151-6 ONLY



DETAIL B

- 1 CAVITY IDENTIFICATION ON FRONT AND REAR FACE.
- 2 WILL ACCEPT THIRTY-SEVEN (37) MULTIMATE PIN CONTACTS.
- 3 NO 4 FASTENER RECOMMENDED FOR MOUNTING.
- 4 WHITE DOT NEAR POSITION 1 ON WIRE ENTRY FACE.
- 5 OBSOLETE PARTS: OBSOLETE CIS STREAMLINING PER D.RENAUD/D.SINISI

| 4 | STANDARD | YES | A | 206151-8 |
|-------------|-----------|----------------------------|-------------|----------|
| PRELIMINARY | STANDARD | NO | A & C | 206151-6 |
| 5 | OBSOLETE | NO | A | 206151-5 |
| | STANDARD | YES | B | 206151-4 |
| | STANDARD | YES | A | 206151-3 |
| | STANDARD | NO | B | 206151-2 |
| | STANDARD | NO | A | 206151-1 |
| | PACKAGING | PERIPHERAL SEAL SEE DETAIL | PART NUMBER | |

| | | | | | |
|--|--|--|--|------------------------------|--|
| THIS DRAWING IS A CONTROLLED DOCUMENT. | | DIN S SCHLEGEL 08DEC2002 | | TE Connectivity | |
| DIMENSIONS: INCHES | | TOLERANCES UNLESS OTHERWISE SPECIFIED: | | NAME | |
| 0 PLC ± - | | 1 PLC ± - | | R STONE 8/13/83 | |
| 1 PLC ± - | | 2 PLC ± - | | APPLICATION SPEC | |
| 2 PLC ± - | | 3 PLC ± .005 | | SIZE CASE CODE DRAWING NO | |
| 3 PLC ± - | | 4 PLC ± - | | WEIGHT | |
| 4 PLC ± - | | ANGLES ± - | | A1 00779 C=206151 | |
| MATERIAL: HOUSING: NYLON BLACK SEAL: ELASTOMER, GREY | | FINISH | | CUSTOMER DRAWING | |
| | | | | SCALE 2:1 SHEET 1 OF 1 REV M | |